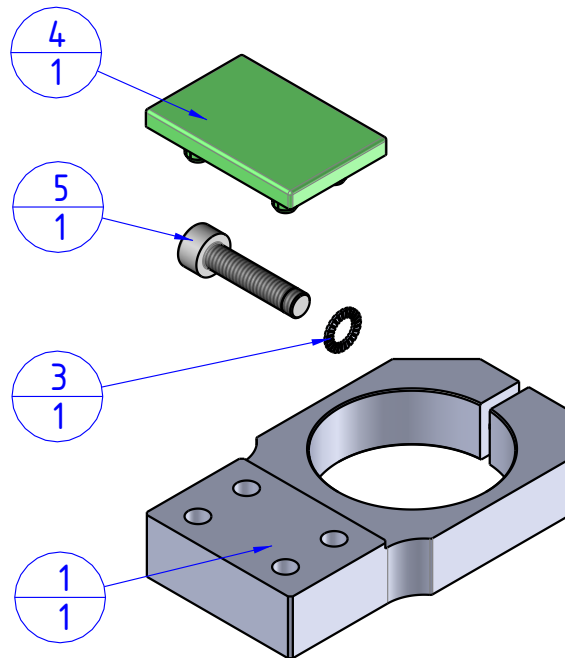
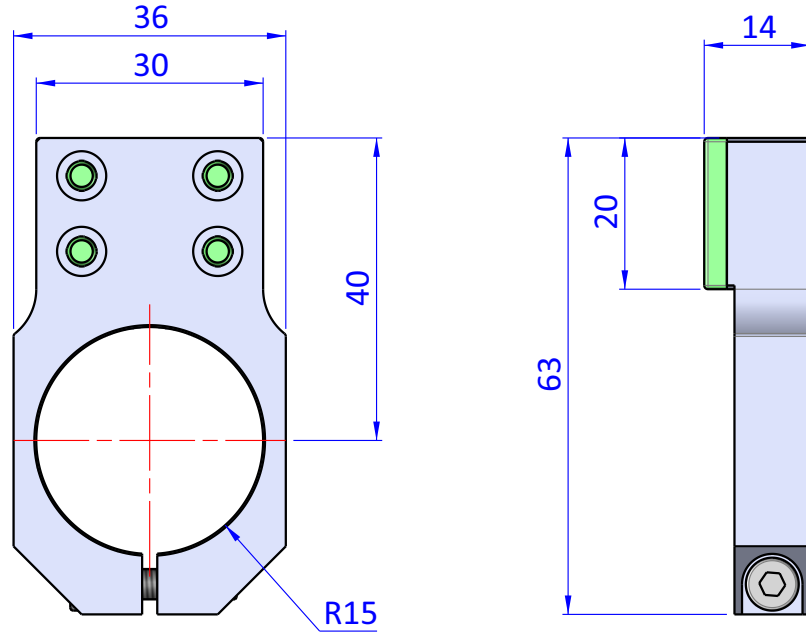


THE PROPERTY OF THE DRAWING IS ESTABLISHED BY LAW. IT IS FORBIDDEN TO PRODUCE OR SHOW IT TO THIRD PART. WITHOUT A WRITTEN AGREEMENT.

Item	Name	Q.ty
1	GRF30.95.07	1
3	R.4.SCH	1
4	GRF30.95.08.V	1
5	V.TCE4x18	1



DESIGNED FROM	REVIEW
FPS Automation	A

DATE	WEIGHT
27/09/2021	0,035kg

CODE
GRF30.95.0708

Format	A4
UNI 936-76	

GENERAL TOLERANCE
UNI - ISO 2768
CLASSE f

DESCRIPTION
GRF30.95.0708